

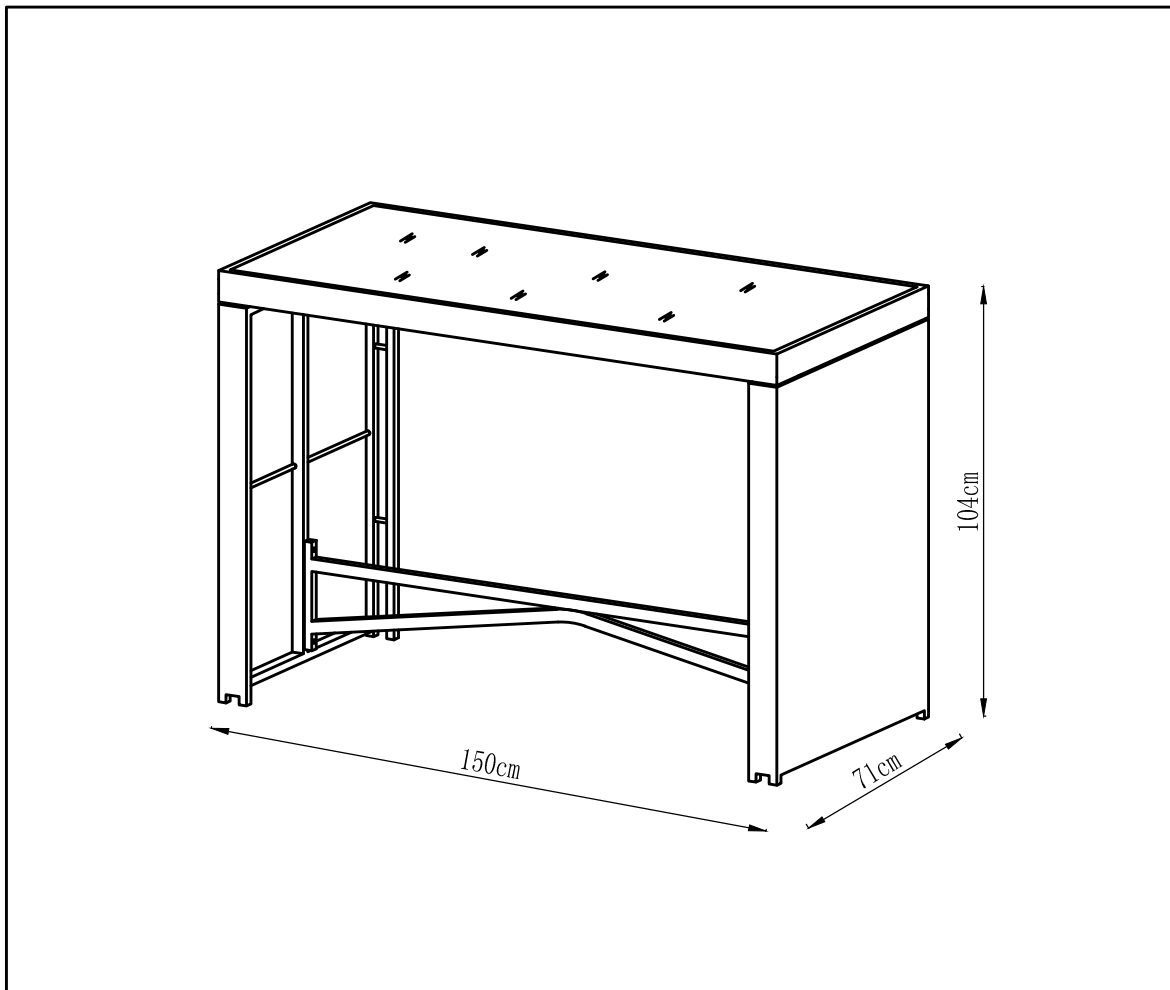


ASSEMBLY INSTRUCTION

RIMINI 7 PIECE BAR SETTING-BAR TABLE

ITEM CODE - 60851

Imported by Amart Furniture Pty Ltd, Qld, Brisbane Australia .
For any assistance with assembly or for missing parts please phone
Amart Furniture Ewing road, Customer Service Freecall 1800 009 466


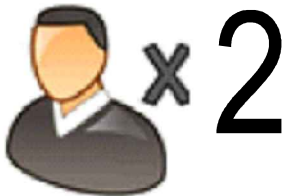


Imported by Amart Furniture Pty Ltd, Qld, Brisbane Australia .
For any assistance with assembly or for missing parts please phone
Amart Furniture Ewing road, Customer Service Freecall 1800 009 466

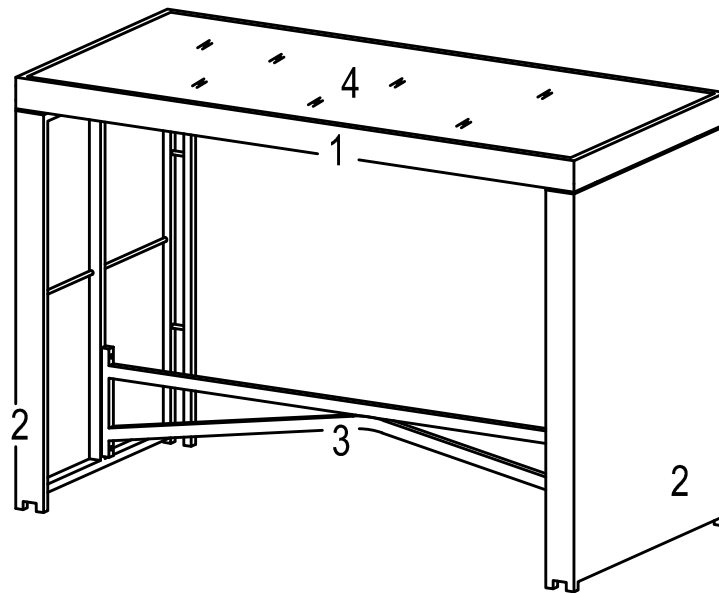
PRE-ASSEMBLY PREPARATION

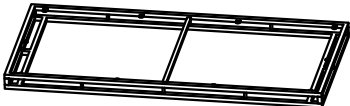
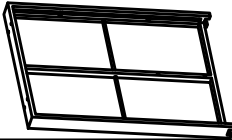


Before you start:



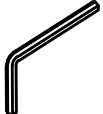
1. Choose a clean, level, spacious assembly area. Avoid hard surfaces that may damage the product.
2. Take care when lifting. Product should be assembled as near as possible to the point of use.
3. Ensure that you have all required contents for complete assembly.
4. Always read the assembly instructions carefully before beginning assembly.
5. Keep all hardware parts and packaging out of reach of small children.
6. Do not over tighten the screws and bolts as this may damage the threads.

| | |
|---|--|
|  |  |
| ALLOW 20 MINUTES | PEOPLE REQUIRED |
| NONE | |
| ADDITIONAL TOOLS REQUIRED | |

PARTS LIST

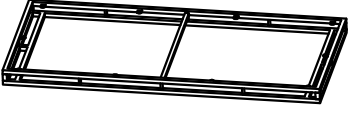
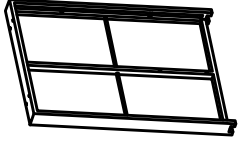


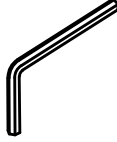


| | |
|--|--|
| <p>1 Table frame  1</p> | <p>2 Leg  2</p> |
| <p>3 Fixed ring  1</p> | <p>4 Glass  1</p> |

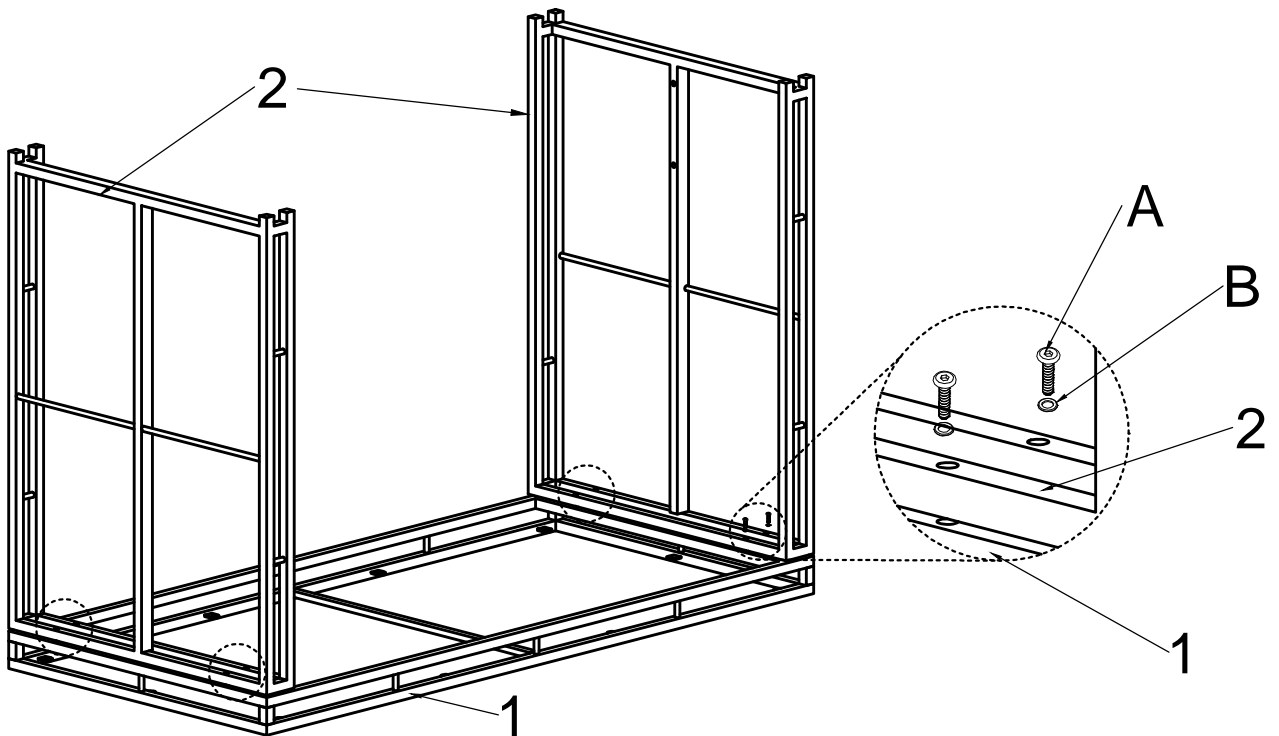
| | | |
|--|---|---|
| <p>A. Bolt</p>  <p>M6*35*12PCS</p> | <p>B. Washer</p>  <p>M6*16PCS</p> | <p>C. Hexagon Key</p>  <p>M6*1PC</p> |
|--|---|---|

Step 1:

ITEMS REQUIRED




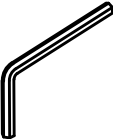
| | | |
|--|---|---|
| 1. Table frame 1PC  | 2. Leg 2PCS  | |
| A. Bolt  M6*35*4PCS | B. Washer 4PCS  | C. Hexagon Key 1PC  |

- Attach leg(2) to table frame (1) using bolt (A) with washer (B).
- Tighten with hexagon key (C) .

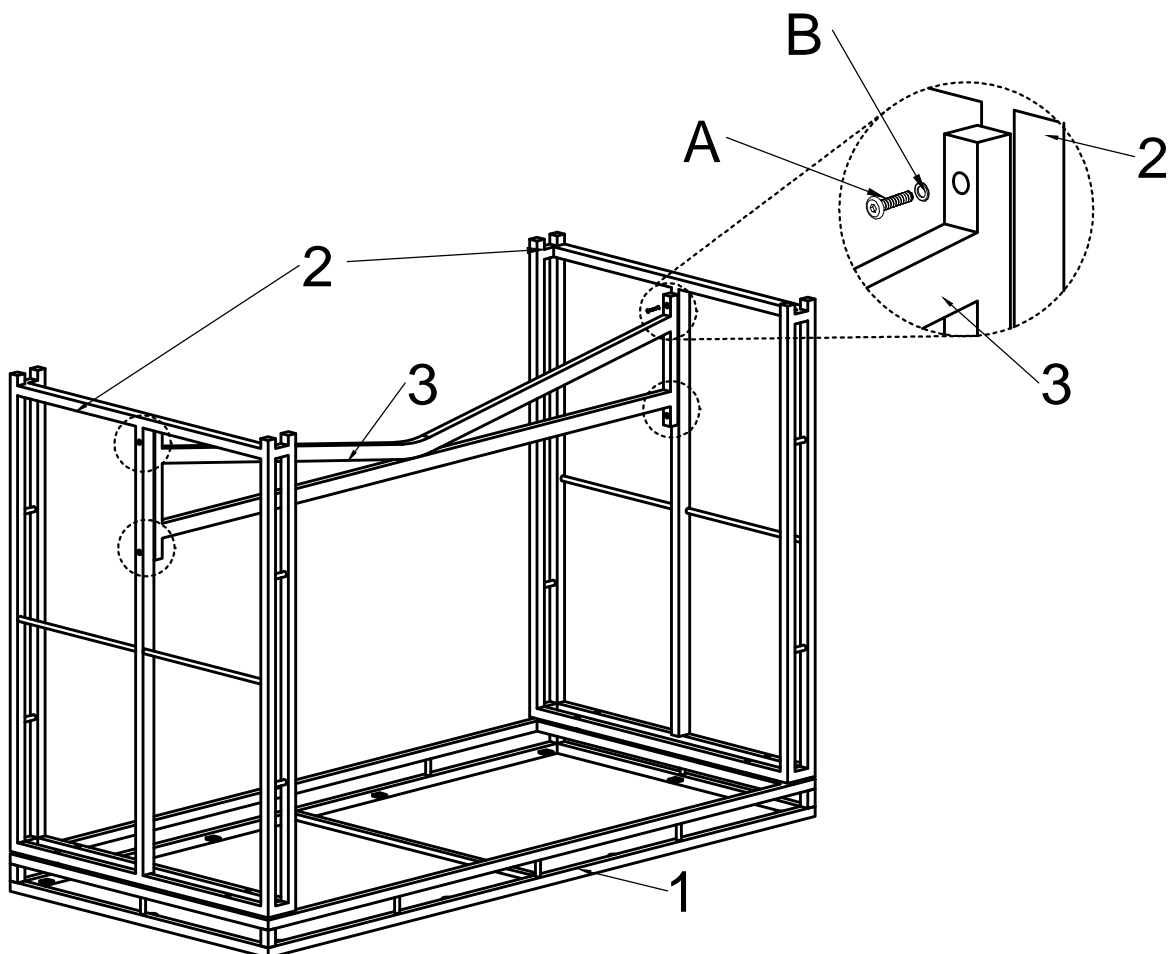


Step 2:

ITEMS REQUIRED

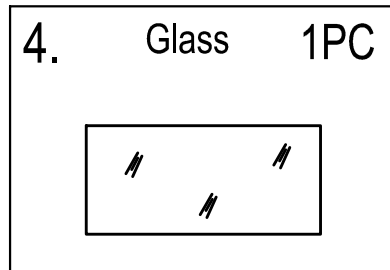
| | | |
|---|--|--|
| 3. Fixed ring 1PC  | A. Bolt  M6*35*4PCS | B. Washer 8PC  |
| C. Hexagon Key 1PC  | | |

- Attach fixed ring(3) to leg (2) using bolt (A) with washer (B).
- Tighten with hexagon key (C) .

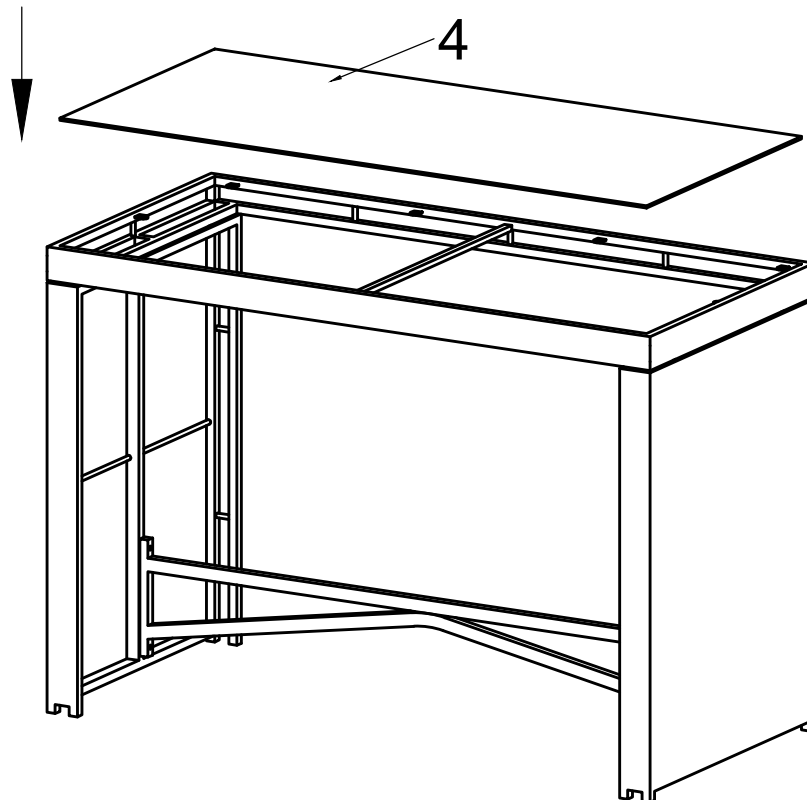


Step 3:

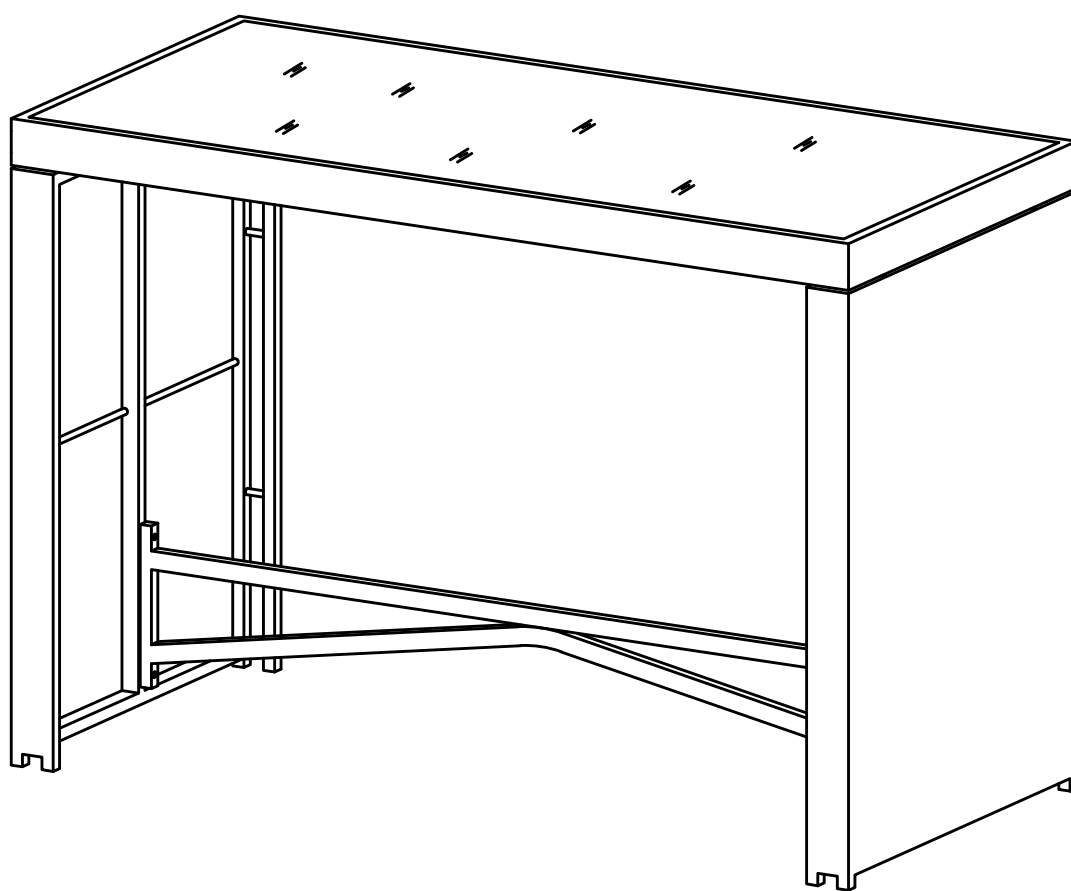
ITEMS REQUIRED



- Turn over the table frame.
- Place glass (5) on top of table.
- Glass is secured on table with suckers.



ASSEMBLY IS COMPLETE



Care and maintenance



Cushions

- Direct exposure to the sun's harmful UV rays is likely to cause rapid colour fading to fabrics.
- To ensure product longevity it is recommended outdoor products are not left permanently exposed to the elements.

Timbers

- Prolonged exposure of timber items to the elements may cause premature deterioration.
- Regular vacuuming and dusting of items is recommended.
- Timber needs regular oiling -please contact store of purchase for further details.
- Minor cracking of timber is a natural process and will not compromise the strength of the timber.

Wicker

- Regular vacuuming and dusting of items is recommended.
- If weave on wicker becomes lacerated/damaged, Do not pull on as this may cause unravelling.
- Prolonged exposure to the elements may cause colour fading.

Glass

- If the glass is chipped or broken, stop using the product and consult place of purchase .
- Do not drop, drag or strike glass .
- Do not sit or stand upon the glass surface .
- Do not place very hot or cold items on the glass surface unless adequately thick table mats are used to prevent such items coming in contact with the glass .
- Do not place heavy objects on glass .
- Avoid scratching the glass or using as a chopping surface .
- Do not strike the glass with hard or pointed items .
- When cleaning the glass panels use a damp cloth with washing up liquid or soft soap if necessary. Do not use washing powders or any other substances containing abrasives since these may scratch the glass.

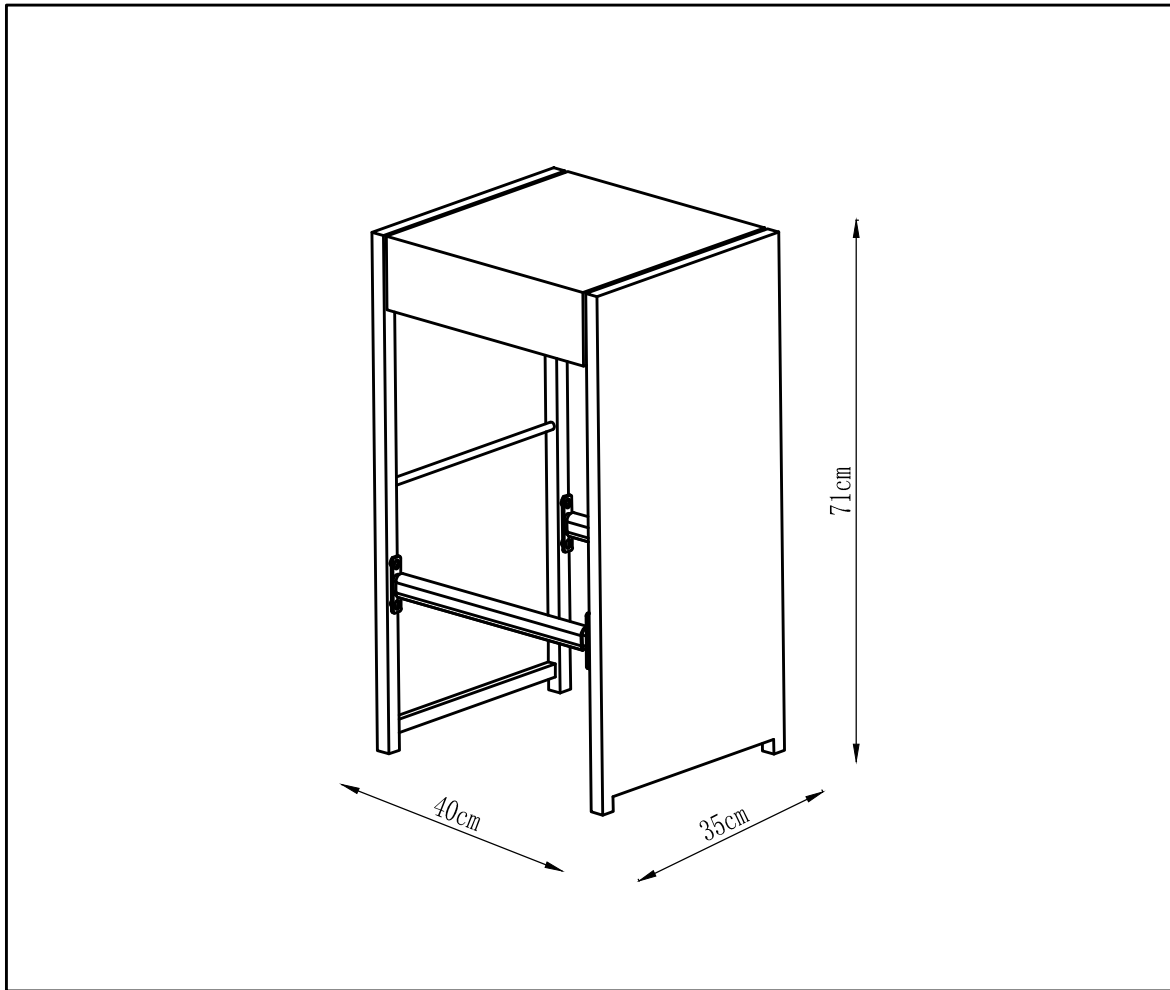


ASSEMBLY INSTRUCTION

RIMINI 7 PIECE BAR SETTING-BAR CHAIR

ITEM CODE - 60851

Imported by Amart Furniture Pty Ltd, Qld, Brisbane Australia .
For any assistance with assembly or for missing parts please phone
Amart Furniture Ewing road, Customer Service Freecall 1800 009 466


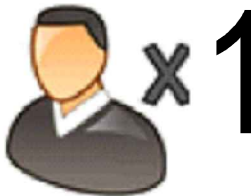


Imported by Amart Furniture Pty Ltd, Qld, Brisbane Australia .
For any assistance with assembly or for missing parts please phone
Amart Furniture Ewing road, Customer Service Freecall 1800 009 466

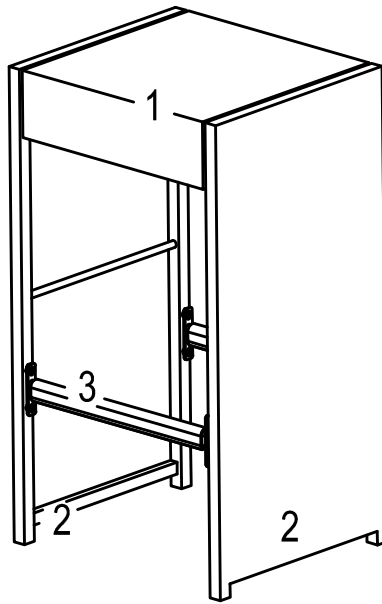
PRE-ASSEMBLY PREPARATION

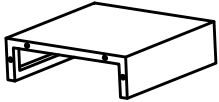
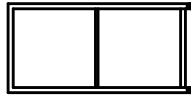
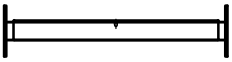
Before you start:




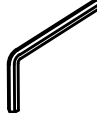
1. Choose a clean, level, spacious assembly area. Avoid hard surfaces that may damage the product.
2. Take care when lifting. Product should be assembled as near as possible to the point of use.
3. Ensure that you have all required contents for complete assembly.
4. Always read the assembly instructions carefully before beginning assembly.
5. Keep all hardware parts and packaging out of reach of small children.
6. Do not over tighten the screws and bolts as this may damage the threads.

| | |
|---|--|
|  |  |
| ALLOW 20 MINUTES | PEOPLE REQUIRED |
| NONE | |
| ADDITIONAL TOOLS REQUIRED | |

PARTS LIST

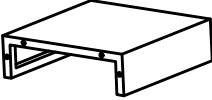
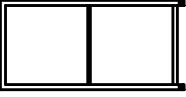


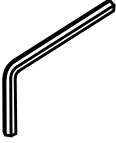


| | | | | | |
|------------------|---|---|--------|---|---|
| 1 Seat panel |  | 1 | 2 Side |  | 2 |
| 3 Connecting rod |  | 2 | | | |

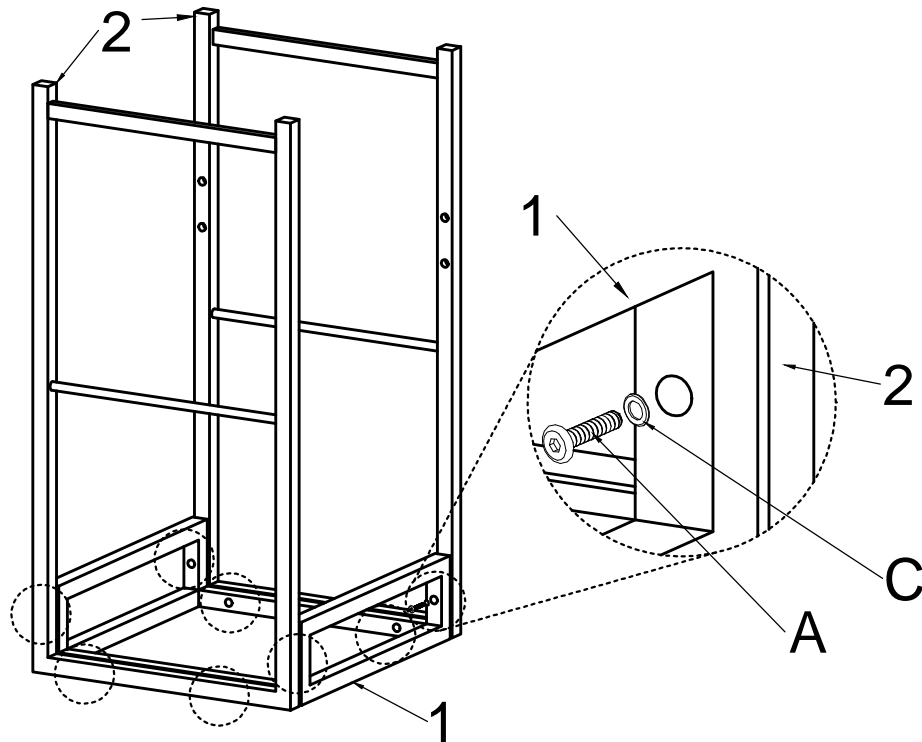
| | | | |
|---|---|---|--|
| A. Bolt  M6*35*8PCS | B. Bolt  M6*15*8PCS | C. Washer  M6*16PCS | D. Hexagon Key  M6*1PC |
|---|---|---|--|

Step 1:

ITEMS REQUIRED




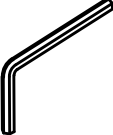
| | | |
|--|---|---|
| 1. Seat panel 1PC  | 2. Side 2PCS  | |
| A. Bolt  M6*35*8PCS | C. Washer 8PCS  | D. Hexagon Key 1PC  |

- Attach side(2) to seat panel (1) using bolt (A) with washer (C).
- Tighten with hexagon key (D) .

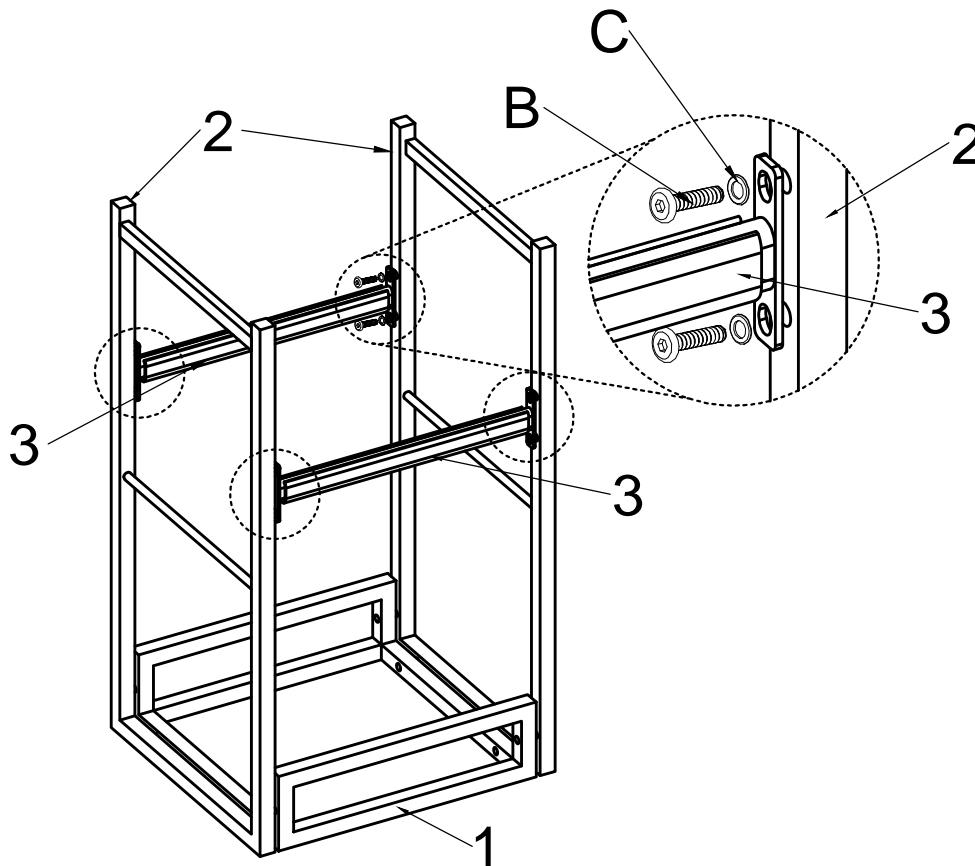


Step 2:

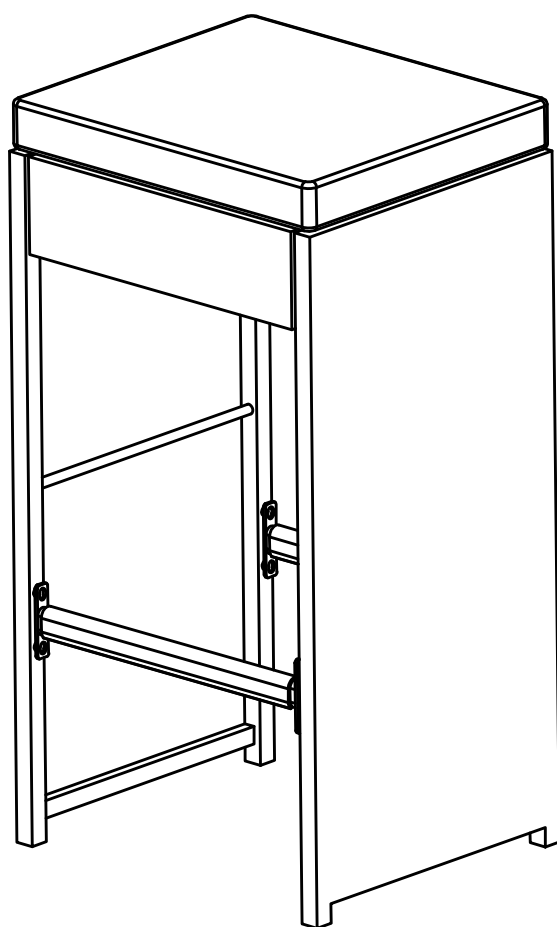
ITEMS REQUIRED

| | | |
|--|--|--|
| 3. Connecting rod  2PCS | B. Bolt  M6*15*8PCS | C. Washer 8PC  |
| D. Hexagon Key 1PC  | | |

- Attach connecting rod(3) to side (2) using bolt (B) with washer (C).
- Tighten with hexagon key (D) .



ASSEMBLY IS COMPLETE



Care and maintenance



Cushions

- Direct exposure to the sun's harmful UV rays is likely to cause rapid colour fading to fabrics.
- To ensure product longevity it is recommended outdoor products are not left permanently exposed to the elements.

Timbers

- Prolonged exposure of timber items to the elements may cause premature deterioration.
- Regular vacuuming and dusting of items is recommended.
- Timber needs regular oiling -please contact store of purchase for further details.
- Minor cracking of timber is a natural process and will not compromise the strength of the timber.

Wicker

- Regular vacuuming and dusting of items is recommended.
- If weave on wicker becomes lacerated/damaged, Do not pull on as this may cause unravelling.
- Prolonged exposure to the elements may cause colour fading.

Glass

- If the glass is chipped or broken, stop using the product and consult place of purchase .
- Do not drop, drag or strike glass .
- Do not sit or stand upon the glass surface .
- Do not place very hot or cold items on the glass surface unless adequately thick table mats are used to prevent such items coming in contact with the glass .
- Do not place heavy objects on glass .
- Avoid scratching the glass or using as a chopping surface .
- Do not strike the glass with hard or pointed items .
- When cleaning the glass panels use a damp cloth with washing up liquid or soft soap if necessary. Do not use washing powders or any other substances containing abrasives since these may scratch the glass.